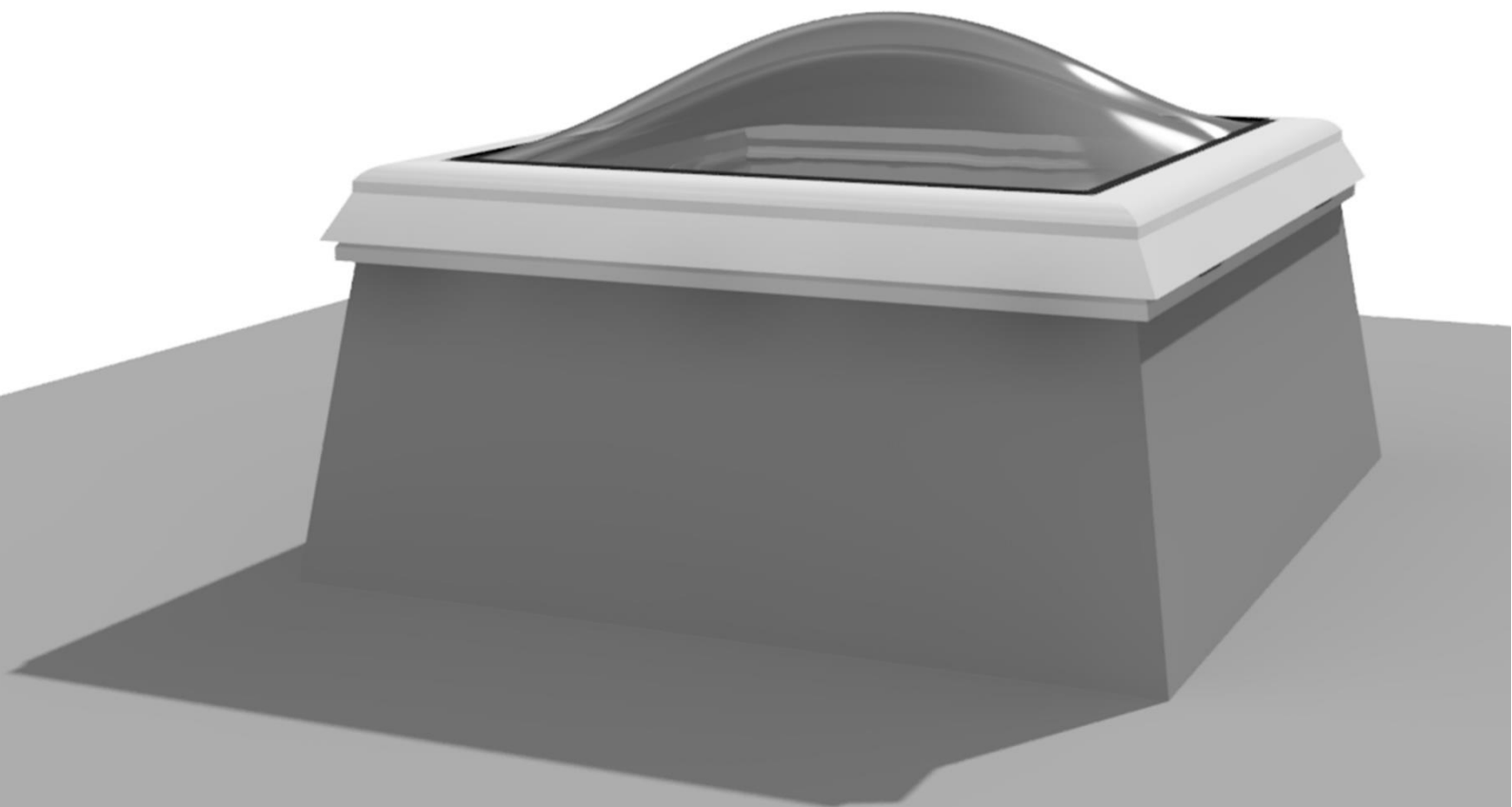








S O L I
D O M E

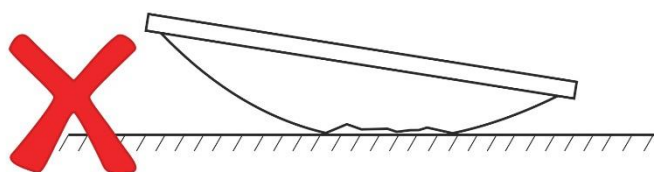
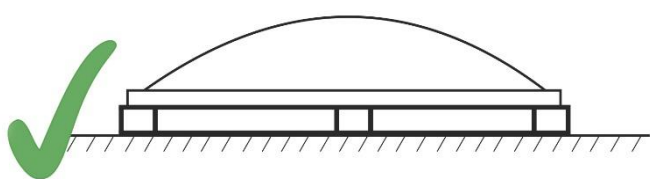


SOLIDOME skylights

Assembling instruction

warnings/directions

	General warning sign		Falling danger		Warning overhead load
	Necessary to wear protective lashing		Necessary to wear a protective helmet		Safety shoes must be worn



Attached fasteners:



Ø4.8x16 mm DIN 7504-N
Ø4.8x38 mm DIN 7504-N

General provisions:

The contents of the roof installation instructions are based on the long experience of our installers. Every visual and technical advice is based on our installers recommendations.

All installation-related work must be carried out in accordance with the standards and requirements in force in the country where the work is carried out.

The contents of the instructions are recommendatory.
SOLIDOME reserves the right to change product specifications.

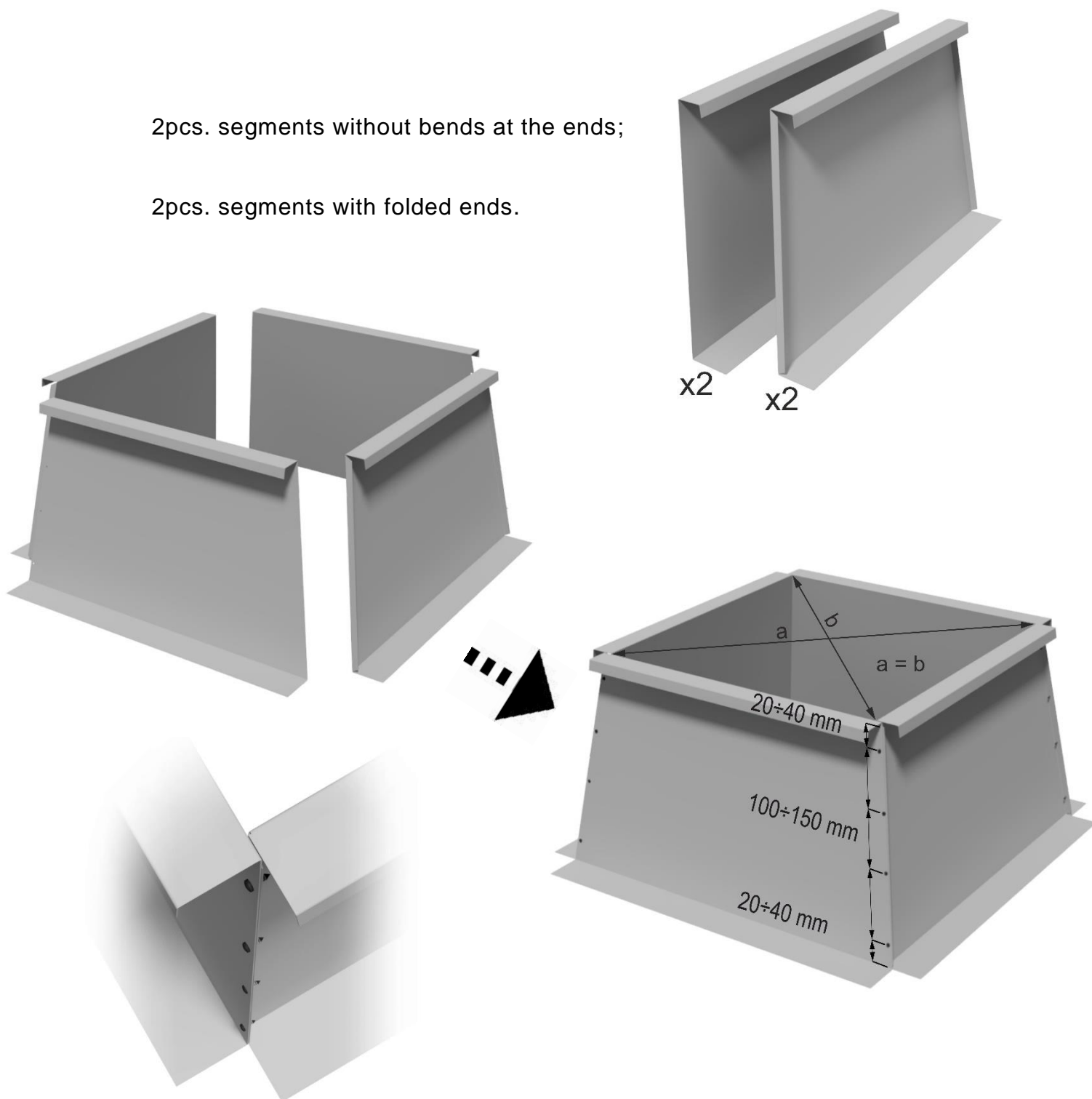


1. Assembly of structural steel base

1.1 Single skylight structural steel base set consists of:

2pcs. segments without bends at the ends;

2pcs. segments with folded ends.

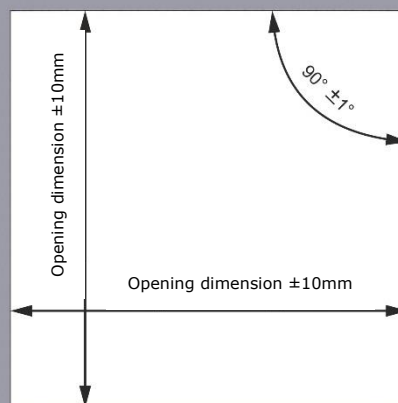
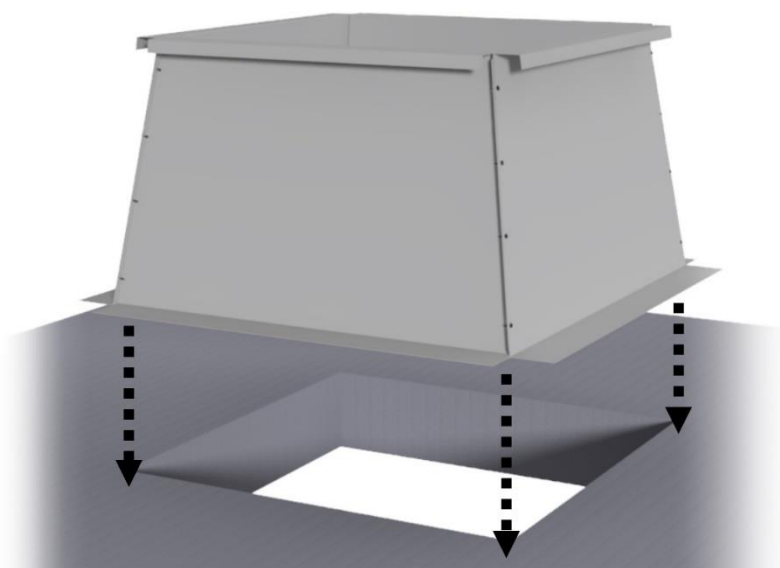


1.2 The base must be assembled on a flat, horizontal surface;

1.3 Align different segments pieces within folded edge;

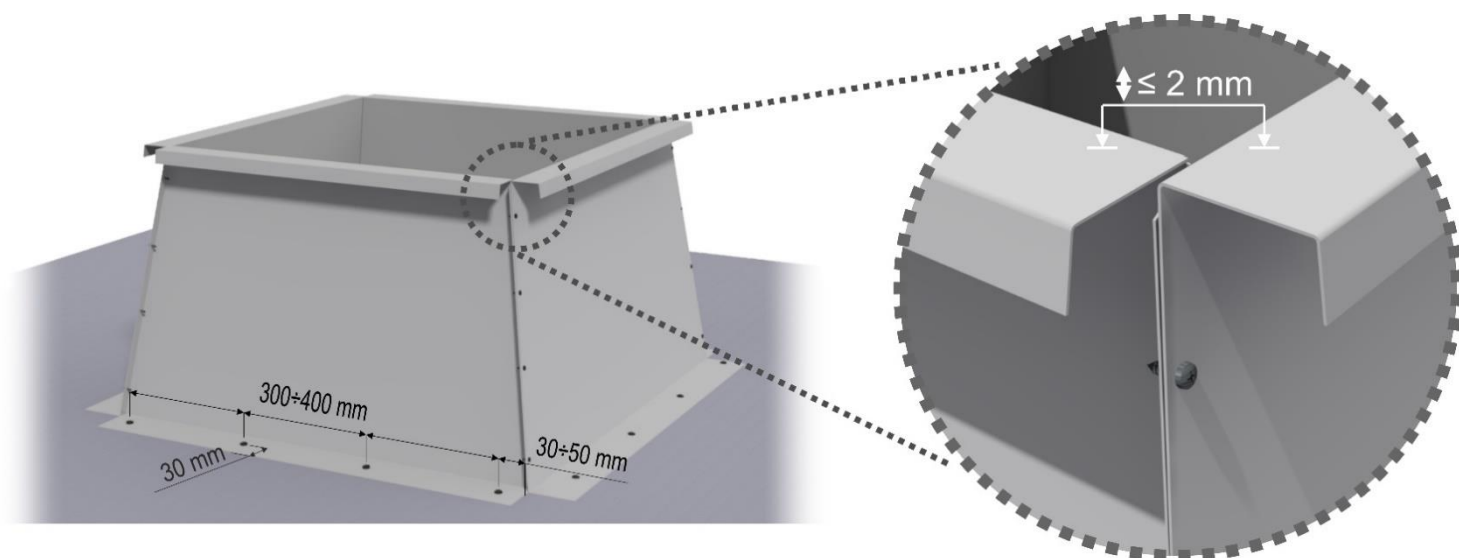
1.4 Use $\text{Ø}4.8 \times 16\text{ mm}$ DIN7504-N self-tapping screws to connect segments, distance between mounting points 100-150mm, 20-40mm from sides.

2. Base mounting on the roof structure

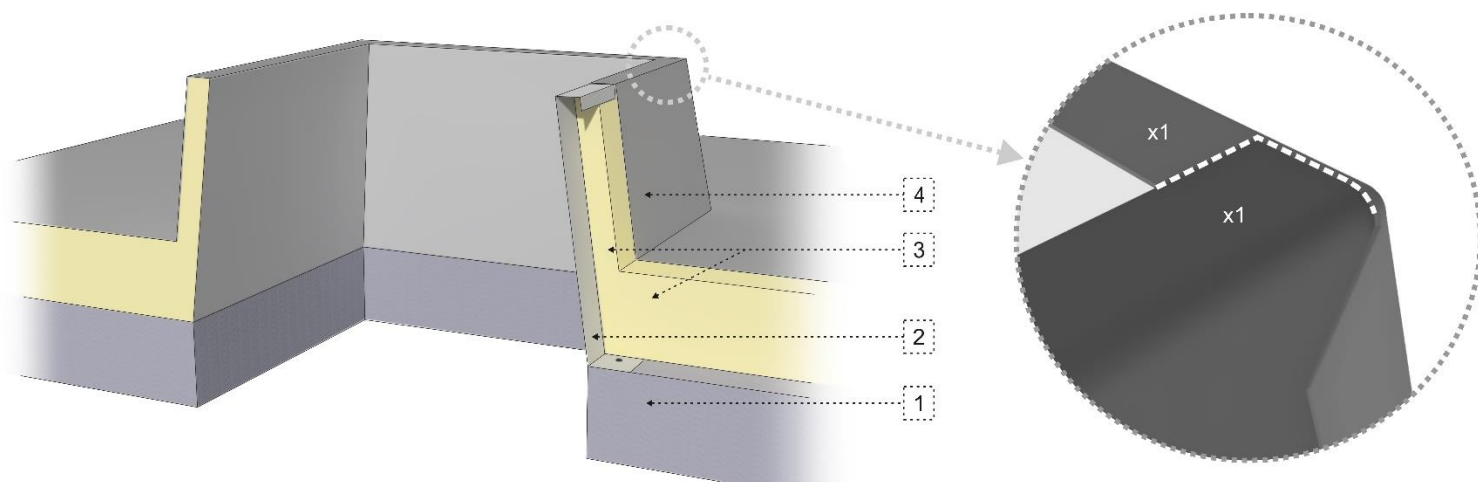


Opening in roof construction

- 2.1 Place the base of skylight on the opening so that the inner edge of the base aligns with perimeter of the opening. If load-bearing profiled sheet is used for the roof covering, the base of skylight can be mounted under or on profiled sheet.



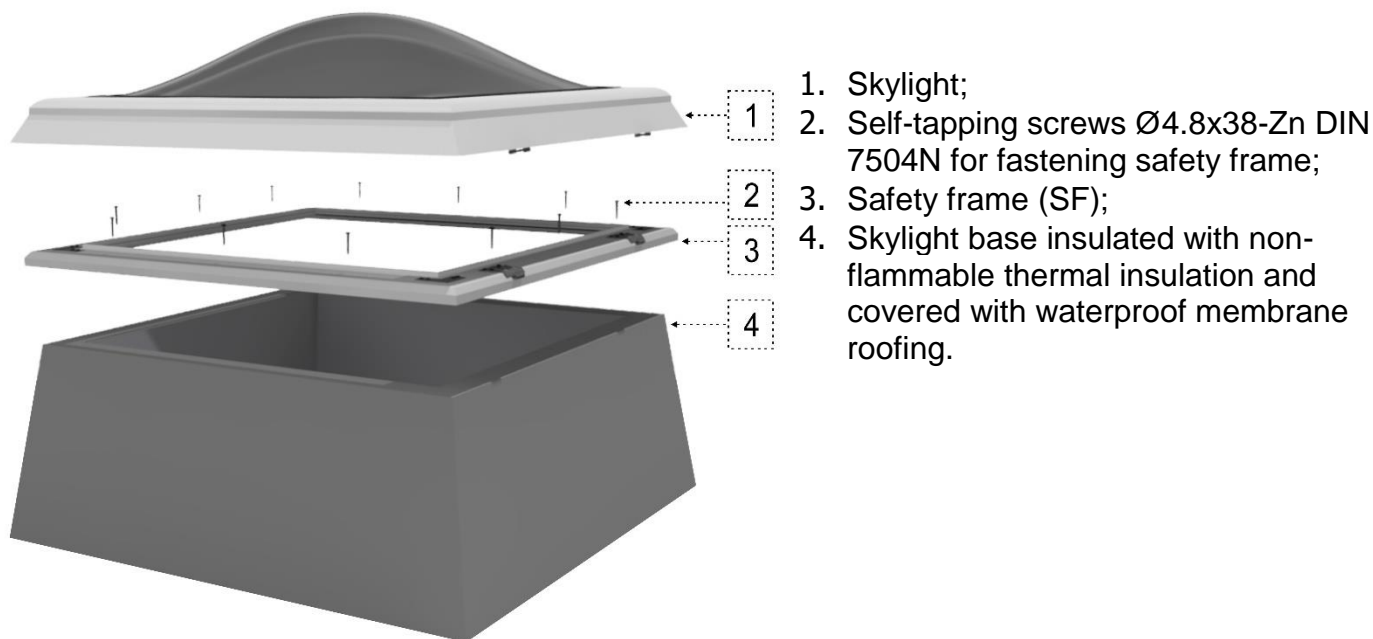
- 2.2 Attach the base to the roof structure 300-400mm distance between mounting points.
 Use $\text{Ø}6.3 \times 19$ mm DIN7504 K self-drilling screws to attach base to the metal roof constructions.
 Use $\text{Ø}6 \times 40$ mm screws with plug for concrete roof construction.



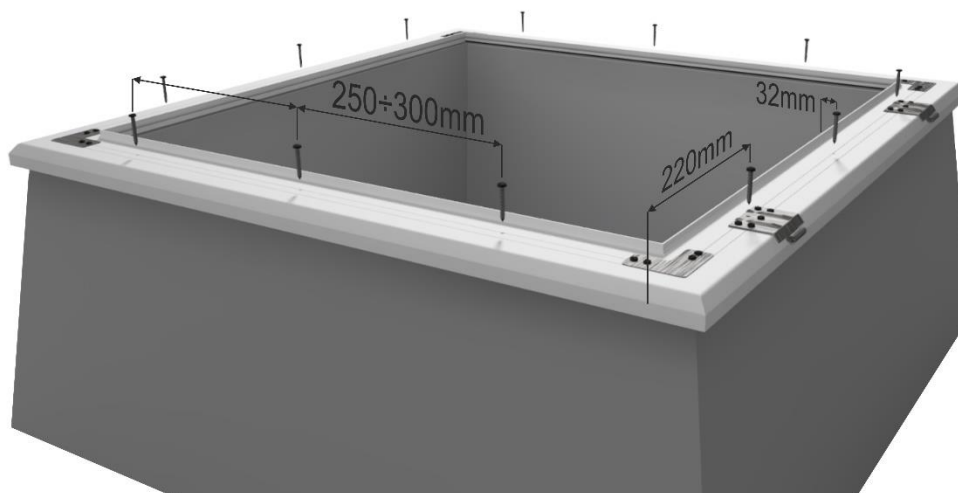
1. Roof construction;
2. Structural steel base;
3. Non-flammable thermal insulation layer (thermal conductivity no more than $\lambda = 0.036 \text{ W/mK}$);
4. Waterproof membrane roofing.

- 2.3 Insulate attached base with non-flammable thermal insulation.
- 2.4 Install waterproof roofing. In corners, place roofing in such a way that there is 1 layer of coating (as shown in figure).

3. Skylight components

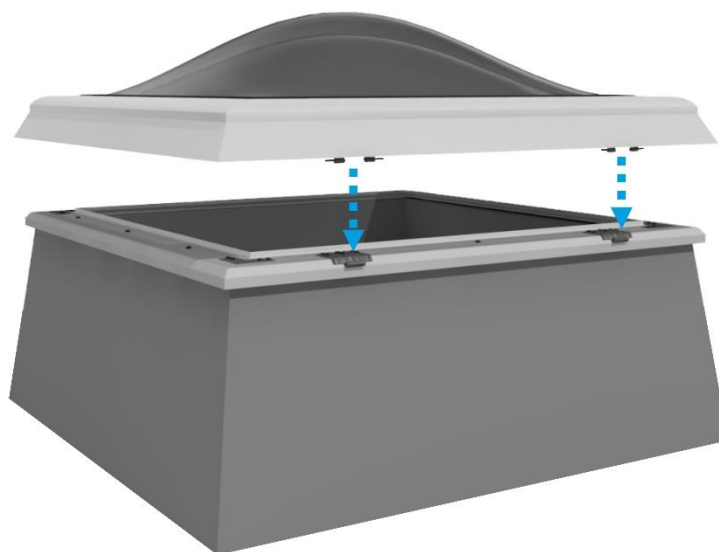


4. Installation of skylight safety frame (SF)

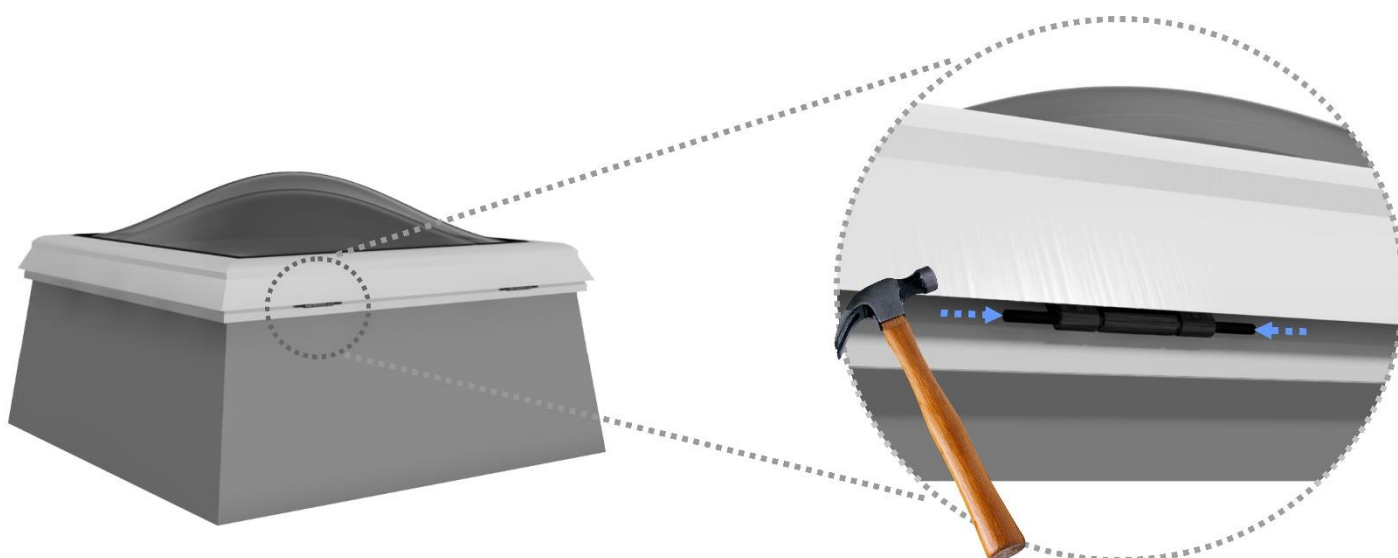


- 4.1 On properly prepared skylight base, fasten safety frame with self-tapping screws, according to distances shown in the picture.
- 4.2 Properly prepared skylight base – insulated with hard stone wool or other non-flammable thermal insulating material with a thermal conductivity no more than $\lambda = 0.036 \text{ W/mK}$ and covered with waterproof membrane roofing;

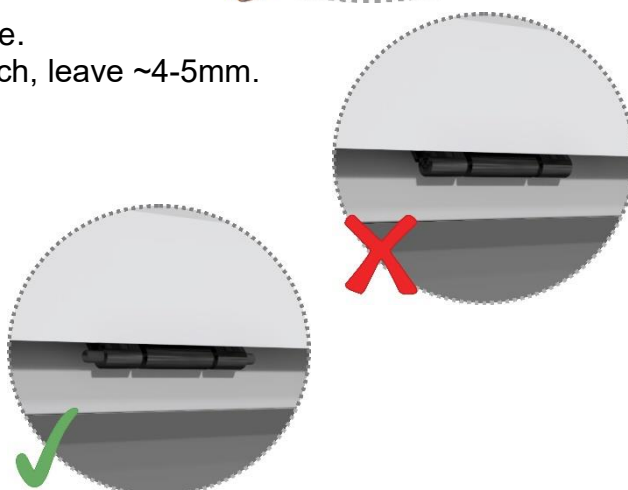
5. Installation of skylight



- 5.1 Mount the skylight on mounted safety frame so that lower hinges aligned with upper hinges;



- 5.2 Hammer hinges as shown in picture.
IMPORTANT: do not hammer too much, leave ~4-5mm.





Export Sales



Paulius Krajašas
Export Manager

E-mail export@solidome.lt

Phone +370 698 84838

Technical Support



Vytenis Bagdonas
Product Manager

E-mail support@solidome.lt

Phone +370 642 47134

Headquarter office

Address: Miško g. 1, Ilgakiemis,
LT-53288 Kaunas reg., Lithuania

E-mail: info@solidome.lt

Phone: +370 37 362654